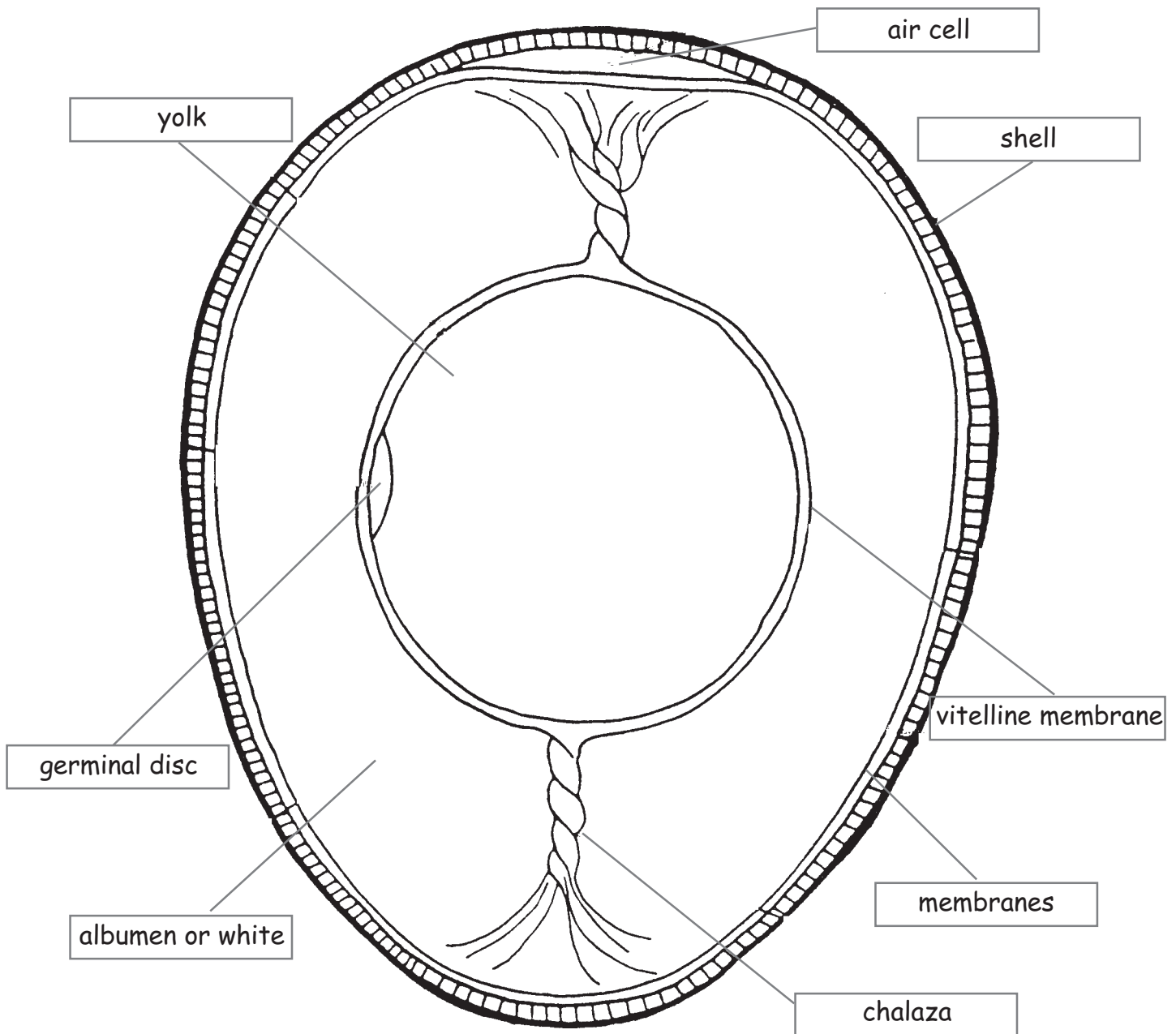


KEY

Egg Parts

Color each part of the egg a different color and label each part of the egg.



Use each word only once:

air cell
germinal disc
vitelline membrane

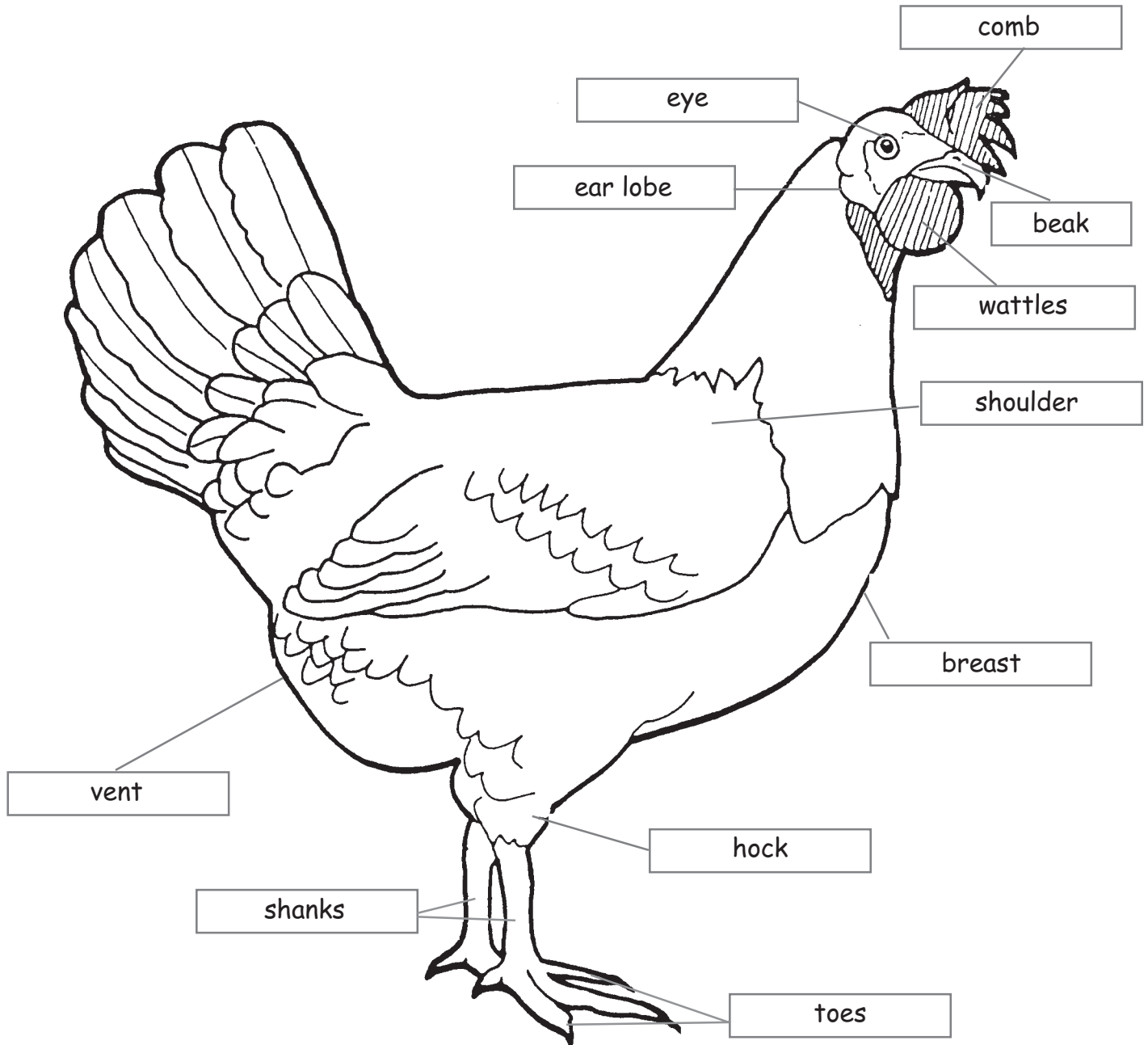
albumen or white
membranes
yolk

chalaza
shell

KEY

Parts of a Chicken

Color and label the parts of a chicken.



Use each word only once:

beak
eye
toes

breast
hock
vent

comb
shanks
wattles

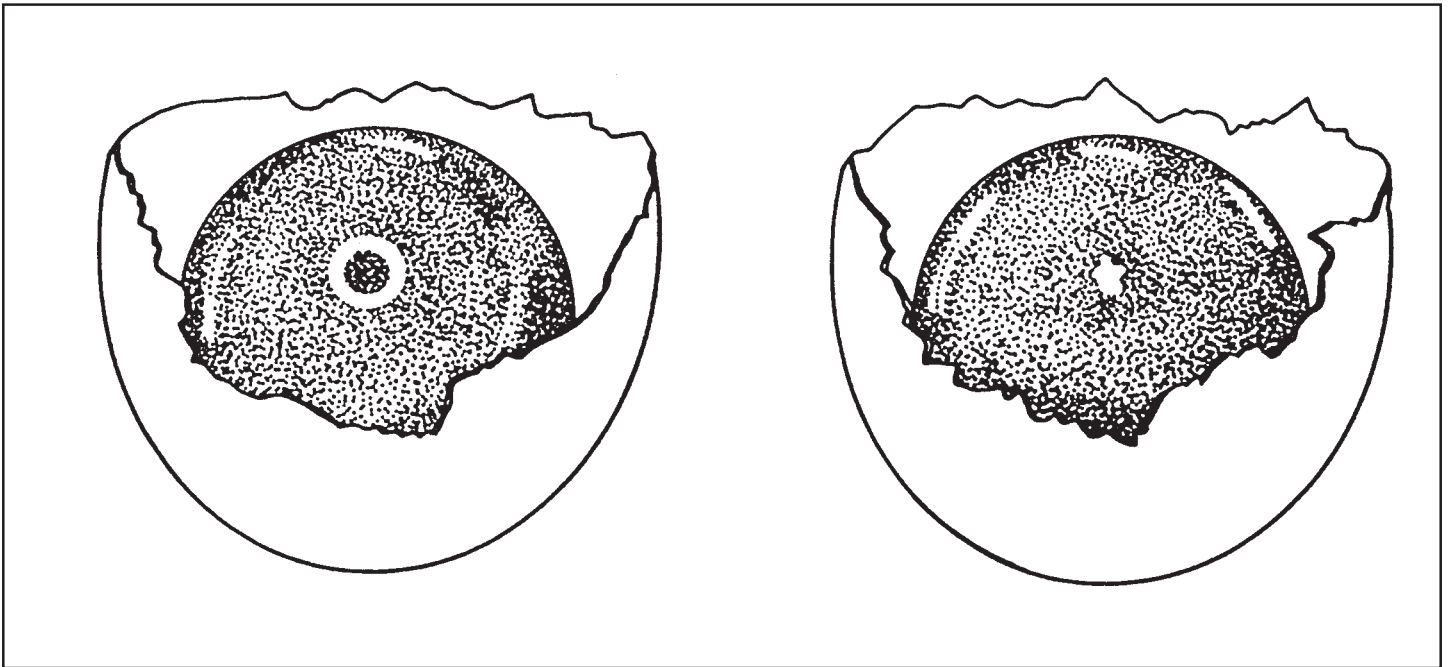
ear lobe
shoulder

KEY

Which Egg Is Fertile?

When fertile eggs are incubated by either a hen or in an incubator, they grow.
What is needed to make an egg fertile?

Look at the picture below and mark the fertile egg.



How do you know that the egg you have marked is fertile? Explain.

The egg on the left. The germinal disc is larger in the fertile egg as compared to the infertile egg. Cell division has occurred in the fertile egg. The fertile egg has an enlarged circle or donut. Ther germinal disc is small in the infertile egg.

KEY

Egg Grading

Match the egg to its grade.

Eggs are graded for quality. Read the description of each grade of egg carefully and then grade each egg in the box with AA, A, or B.

A grade AA egg stands up tall. The yolk is firm and the area covered by white is small.

A grade A egg has a yolk that is round and tall. The white is a little flatter than a grade AA egg.

A grade B egg spreads out more. The yolk is flattened.

The grade of eggs can change if eggs are not stored correctly or if eggs are kept for a long time in the refrigerator.



Grade A



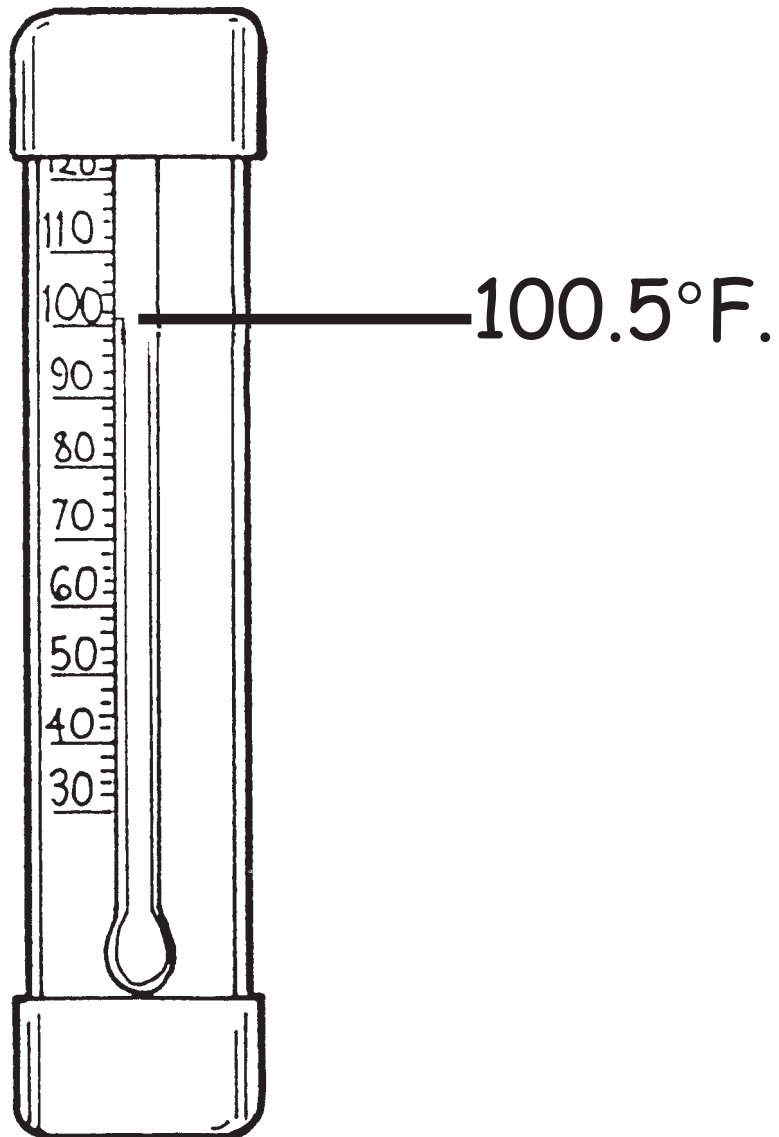
Grade B



Grade AA

KEY

The Thermometer



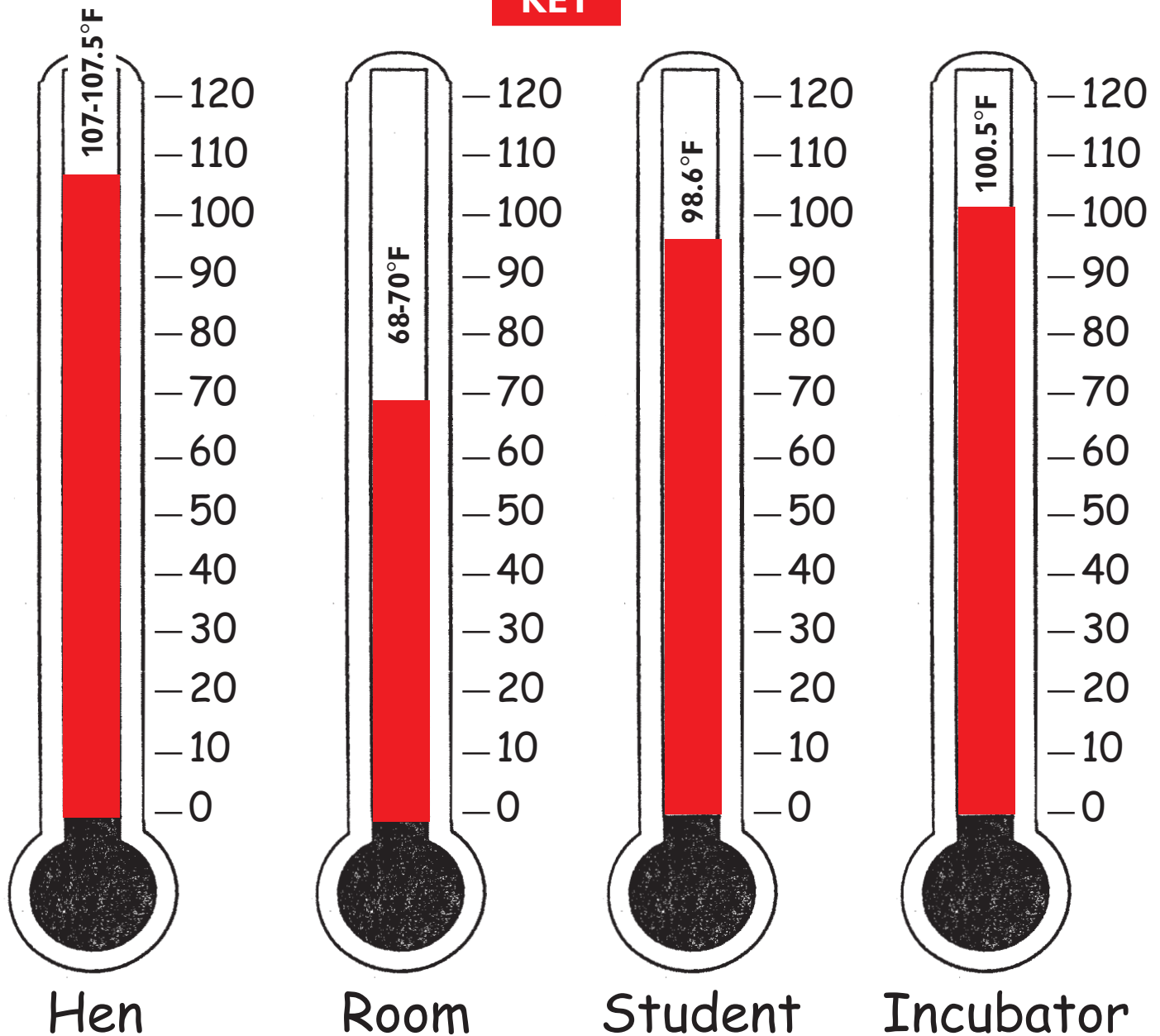
An instrument that measures temperature is a thermometer.

We tried to keep the temperature at 100.5°F. The temperature would drop when the incubator was opened.

Color the mercury red.

Temperature Comparison Chart

KEY



Use your red crayon, marker or pencil to show the normal temperature of a healthy hen or student, the temperature in your classroom, and the correct temperature for the incubator.

- Who or what has the **highest** temperature? **Hen**
- Who or what has the the **lowest** temperature? **Room**

Unscramble the Scrambled Eggs

KEY

1. geg

2. hne

3. koyl

4. htcah

5. lehls

6. oymrbe

7. aekb

8. iecckhn

9. orcuibtna

10. ingsw

11. tapemertrue

12. izdeltirfe

1. egg

2. hen

3. yolk

4. hatch

5. shell

6. embryo

7. beak

8. chicken

9. incubator

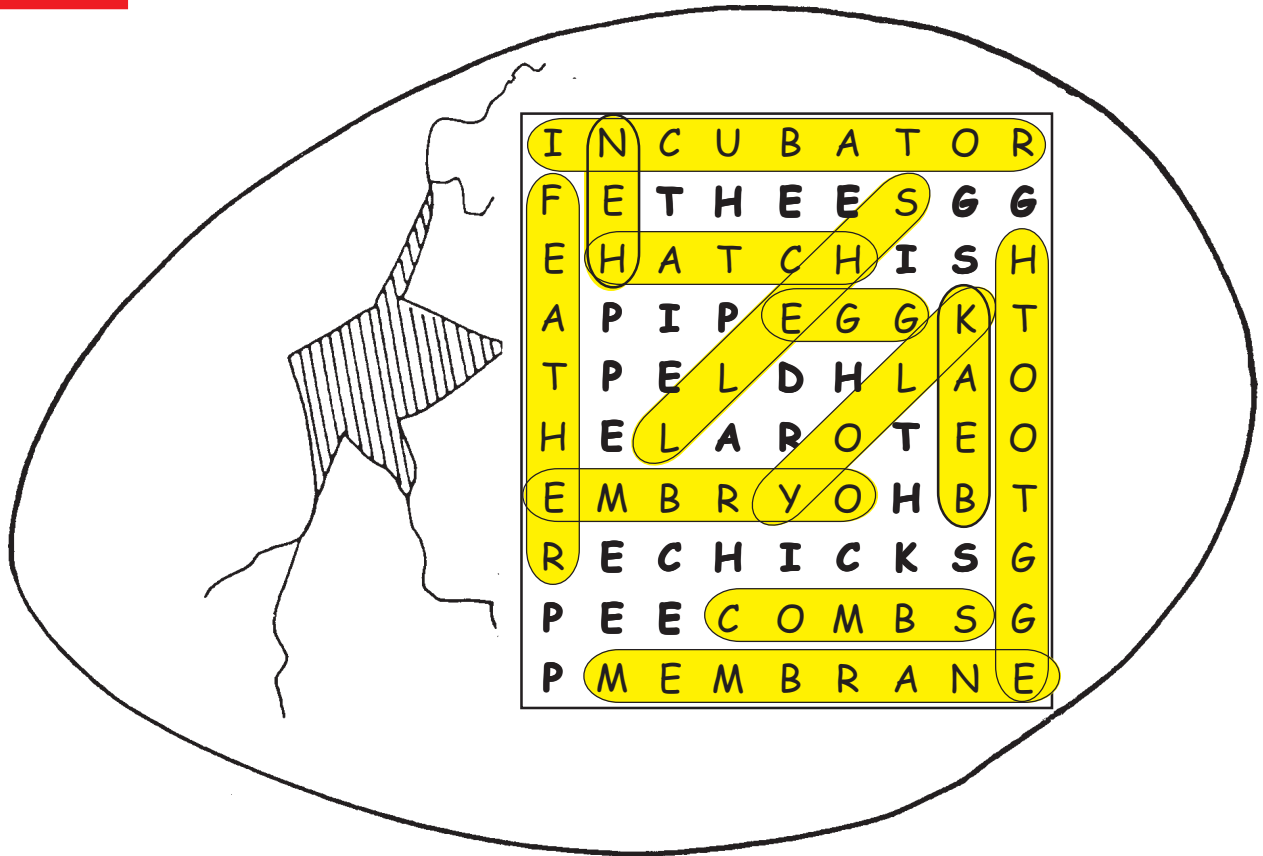
10. wings

11. temperature

12. fertilized

Hidden Words

KEY



Circle the hidden words on the list. The words can be hidden up, down or diagonally. When you have finished, use the left over letters to find a message. What is the message?

The message is **THE EGG IS PIPPED HEAR THE CHICKS PEEP**

Words to find		
egg	hatch	egg tooth
embryo	feather	hen
membrane	shell	beak
incubator	yolk	combs

Science Vocabulary

Put these words in alphabetical order.

hatch	chicken	temperature
peeps	egg tooth	membrane
heart	rooster	blood vessels
egg	hen	incubator
beak	chick	fertilized
yolk	embryo	development
white	sac	thermometer
shell	wings	feathers

- | | |
|-------------------------|------------------------|
| 1. beak | 13. hen |
| 2. blood vessels | 14. incubator |
| 3. chick | 15. membrane |
| 4. chicken | 16. peeps |
| 5. development | 17. rooster |
| 6. egg | 18. sac |
| 7. egg tooth | 19. shell |
| 8. embryo | 20. temperature |
| 9. feathers | 21. thermometer |
| 10. fertilized | 22. white |
| 11. hatch | 23. wings |
| 12. heart | 24. yolk |

Choose 12 vocabulary words. Use each word in a complete sentence.

